

BIBO® User's Manual

Read this manual carefully before using the BIBO®. **Do not discard. Save for future use.**

bibo®
rethink the drink®



TABLE OF CONTENTS

SAFE OPERATIONS AND USE

PARTS LIST

GETTING STARTED

- Helpful Hints
- Unpacking Your BIBO® – What's inside the box?

STEPS TO FOLLOW JUST BEFORE MAKING
YOUR FIRST COCKTAIL

MAKING YOUR FIRST COCKTAIL – CONTROLS AND INDICATORS

TIPS FOR MAKING GREAT DRINKS

CLEANING & MAINTENANCE

TROUBLESHOOTING

WARRANTY

LEARNING ABOUT YOUR BIBO® ON youtube.com

REGISTERING YOUR PURCHASE

RECORD YOUR

BIBO® SERIAL NUMBER HERE:

The serial number is located on the base of the BIBO® housing. **IMPORTANT NOTE:** Removing the serial number label from the BIBO® will void warranty.

IMPORTANT SAFEGUARDS – SAFE OPERATION & USE

When using electrical appliances in your home, basic safety precautions should be followed, including the following:

- Carefully read all instructions before using.
- **WARNING:** keep all plastic bags away from children to avoid risk of suffocation.

SAVE THESE INSTRUCTIONS.

WARNING TO USERS AND PARENTS:

- DO NOT permit children (under the age of 21) or persons with impaired reasoning skills to use this appliance.
- Do not touch sharp or cutting surfaces. Use handles and knobs when available.
- This appliance must be properly installed and located in accordance with these instructions before it can be used.
- The use of this appliance in any way other than intended may result in fire, electrical shock, or injury and will void the warranty.
- For best operation, plug the appliance into its own electrical outlet on a dedicated circuit to prevent flickering lights, blowing fuses or tripping a circuit breaker.

CORD INSTRUCTIONS

- **SHORT CORD INSTRUCTIONS:** A short power supply cord is provided with the product in order to reduce tangling and tripping hazard.. [If an extension cord is used; (1) the marked electrical rating of the cord should be at least as-great-as the electrical rating of the appliance; (2) the cord should be arranged so that it will not drape over the countertop or tabletop where it can be pulled on by children or pets, or be able to cause an unintentional tripping hazard; and (3) should it be necessary to use an extension cord, be certain it is rated for appliance use and includes a 3-prong grounding plug.]
- Do not immerse cords, plugs, or the appliance in water or any other liquid to protect against fire, electric shock or injury.
- Turn off and unplug this appliance prior to cleaning or maintenance.
- Do not operate any appliance with a damaged cord or plug, or after the appliance malfunctions, or is damaged in any manner.
- Do not let the cord hang over the edge of a table or counter, or touch hot surfaces.
- To disconnect, press the power button on the BIBO® appliance to the OFF position and then remove the plug from the wall outlet.
- This appliance must be plugged into a grounded outlet.
- Do not, under any circumstances, tamper with the plug or outlet to force the plug to work with anything other than a grounded outlet.

- Consult a qualified electrician if the grounding instructions are not completely understood, or if doubt exists as to whether the appliance is properly grounded.

LOCATION/STORAGE INSTRUCTIONS

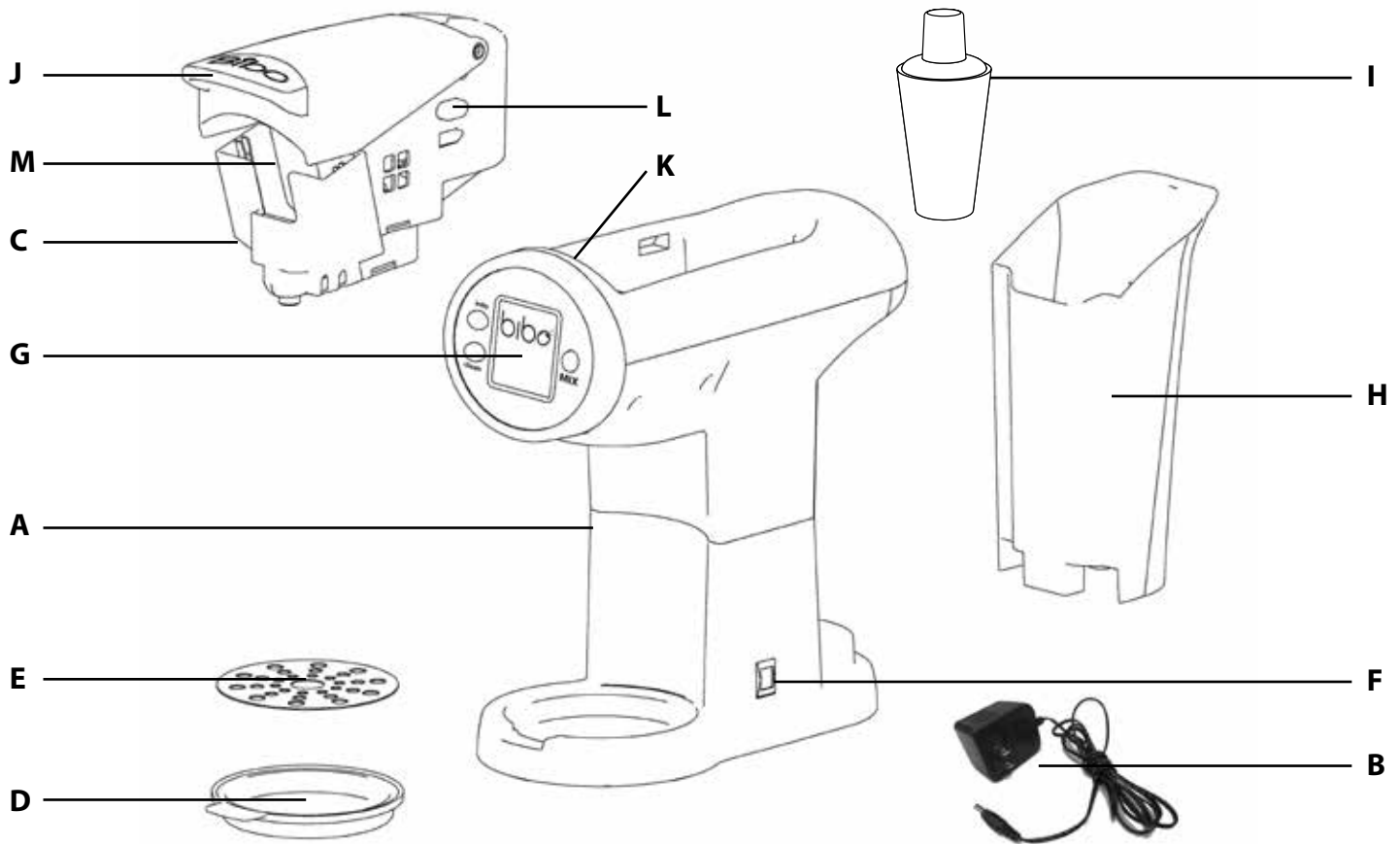
- Do not place appliance on or near a stove burner, or in a heated oven.
- Do not place appliance in a refrigerator or freezer.
- Do not use or store the BIBO® : outdoors, near a swimming pool, sink, damp basement, or other damp environments.
- Do not fill the water reservoir above the fill line.
- Use only fresh, cold, bottled or filtered clean water in the water reservoir.
- Filling the water reservoir with any liquid other than clean water, will cause damage to the appliance and void the warranty.
- Contact BIBO® Customer Service to report any malfunction of, or damage to, the BIBO® appliance.
- Do not lift the handle once the mixing or cleaning cycle is in progress.
- Do not use this appliance for anything other than its intended use.

UNPACKING INSTRUCTIONS

- Place BIBO® box on a large steady surface (such as a table or countertop) or on the floor. Open the box.
- Remove enclosed manual and save.
- Turn the box on its side with front of box face down.
- Carefully pull the plastic bag (and packaging materials) toward you and out of the box. The BIBO® will still be encased in the polyfoam and be on its side.
- Remove the top polyfoam packing material.
- Carefully remove the top handle assembly (**IMPORTANT NOTE: This assembly contains a sharp blade**). Be very careful when handling this assembly. Set aside.
- Carefully lift the BIBO® off the bottom polyfoam and place it on a flat, steady surface.
- Lift plastic bag off of BIBO®.
- Remember to record the serial number for this appliance on registration page at the front of this manual. The serial number can be found on the bottom of the BIBO®.
- Place BIBO® on a flat, steady surface. Remove the tape holding the water reservoir in place.
- Save all packing materials for future shipping or storage of your BIBO®.

Parts & Features List

Read this manual carefully before using the BIBO®. **Do not discard. Save for future use.**



WARNING: To avoid suffocation, keep this bag and all plastic bags away from children! A plastic bag is not a toy!

PARTS & FEATURES LIST

- A Main appliance housing
- B Power cord with transformer
- C Cutting handle assembly
- D Drip tray
- E Drip tray cover
- F On/Off power button
- G LCD control center
- H Reservoir
- I Cocktail shaker/shot glass combo
- J Handle
- K Pouch "smart code" reader
- L Assembly release buttons (on both sides)
- M Front pouch mixer receptor

BIBO® Alcohol Pouches will be available June 2017.
Use enclosed shot glass for proper measurement with your favorite brand of alcohol.

GETTING STARTED

HELPFUL HINTS

- Plug BIBO® into its own grounded outlet separate from other appliances. If the electric circuit is overloaded with other appliances, your BIBO® may not function properly.
- BIBO® recommends using cold, bottled or filtered water, for the best tasting cocktails.
- Water quality varies from place to place. An undesirable taste in your cocktail, such as chlorine or other mineral tastes may be found when using some tap water. If using a water filtration system, carefully follow manufacturer's instructions.
- Cocktails are best when created with cold ingredients. Therefore, keep the drink mix pouches and the water refrigerated, for the best tasting, refreshing drink.
- **BIBO® appliance parts are not dishwasher safe.**
- All removable parts must be washed and dried by hand.
- Keeping your BIBO® clean will help ensure fresh enjoyment of your BIBO® beverages.

BIBO® has an easy to use "cleaning cycle". See page 6 for easy to follow instructions on how to keep your BIBO® clean and fresh.

SHARP INSTRUMENT/ HAND HAZARD

- This appliance uses a sharp blade to cut open the drink pouches. The blades come out of large slots in the BIBO® cutting handle assembly (labeled as part C.) To avoid risk of injury, keep your fingers, hands or body parts away from these slots where the blade projects. Handle the BIBO® with the same respect you give a SHARP KNIFE!
- **Keep this and all appliances away from children.**

THE BIBO® IS FOR HOUSEHOLD USE ONLY.

PROP. 65 WARNING: THIS PRODUCT CONTAINS A CIRCUIT BOARD WHICH CONTAINS CHEMICALS, INCLUDING LEAD, WHICH IS KNOWN TO THE STATE OF CALIFORNIA TO CAUSE CANCER, BIRTH DEFECTS OR OTHER REPRODUCTIVE HARM.

STEPS TO FOLLOW JUST BEFORE MAKING YOUR FIRST COCKTAIL

IMPORTANT: You cannot use your BIBO® until it has been set-up for its first use as set forth below.

NOTE: If BIBO® has been exposed to temperatures below freezing, allow appliance at least two hours to reach room temperature before making a cocktail. A frozen or extremely cold BIBO® appliance may not operate or function properly.

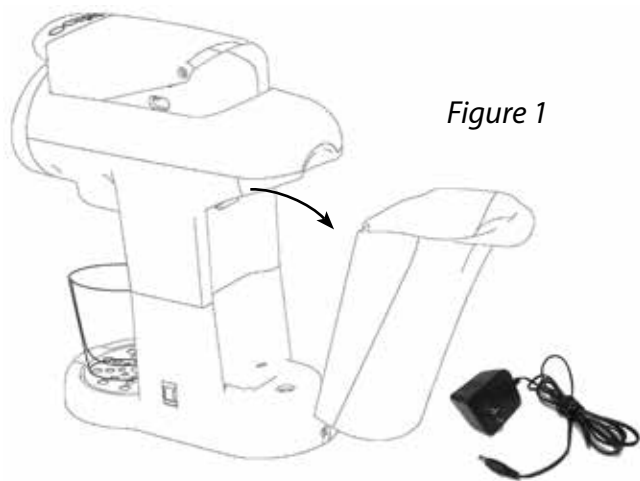


Figure 1

STEP 1: Setting up your BIBO® – See Figure 1

- Unwrap the power cord and transformer/plug. Plug transformer into a grounded outlet and insert the electric cord, with the smaller plug, into the BIBO® appliance – the receptacle for that small plug is on the bottom of the BIBO® main appliance housing.
- Remove all pieces of packing tape and clear plastic protective film from face of LCD Control Center (Part G).
- Remove reservoir from BIBO® unit. Rinse with warm clean water.
- Insert cutting handle assembly (Part C) into BIBO® main appliance housing (Part A).
- Close the handle by gently pulling down on it. Note: if handle does not pull down easily, ensure that you have the blade assembly seated in main appliance housing properly – never force the handle down.

- Place an empty 8 ounce glass or cup on the drip tray plate (Figure 1).

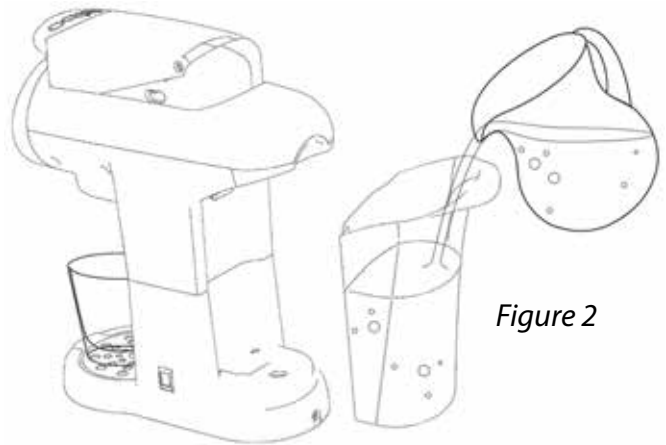


Figure 2

STEP 2: Filling the reservoir – See Figure 2

- Fill reservoir with cold, fresh bottled or filtered water. Do not use hot water. Do not exceed water limit as indicated by the fill line on the side of the water reservoir.
- Gently, slide water reservoir and seat it into the back of the BIBO® main appliance housing (Figure 2).
- Press gently into secure position. You will feel and hear a “click” when water reservoir is properly seated in the BIBO®.

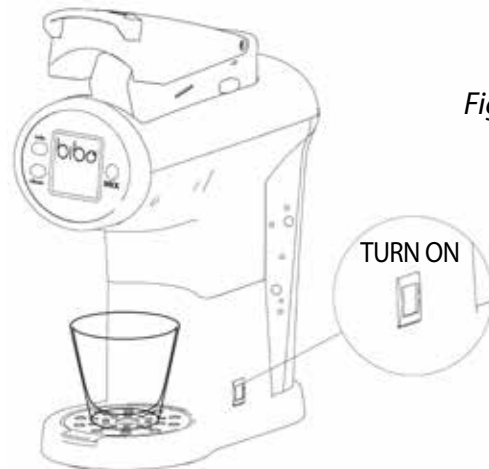
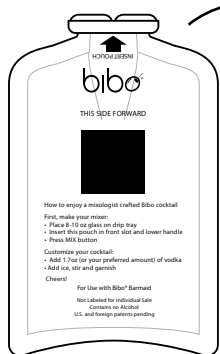


Figure 3

STEP 3: Prepping BIBO® – See Figure 3

- Press the power button to “ON”. It can be found directly on the right side of the BIBO® when appliance is facing forward.
- The LCD Control Center light will come on and indicate “BIBO® logo”.
- Press and hold the “clean” button on the LCD Control Center for up to 5 seconds until water is flowing. This ensures your first drink mix will come out with the proper amount of water.
- NOTE: if you have not filled the reservoir with water, BIBO® will flash a message on the LCD Control Center reading, “Reservoir low, add water”.
- When the water stops flowing, open BIBO® by gently lifting the handle.
- Remove and empty your 8 ounce glass and place the glass back onto the drip tray to begin.
- Congratulations! Your BIBO® is now ready to make cocktails!!

Figure 4



MAKING YOUR FIRST COCKTAIL

STEP 4: How to insert drink mix pouch – See Figure 4

- Make sure the handle is in the open or up position (Figure 4).
- To insert the drink mix pouch – slide the pouch with color code panel facing forward, into the front pouch mixer receptor (see page 3).

Your BIBO® cocktail appliance has an internal pouch smart code reader located at the front of the first pouch reservoir. This reader will read the drink mix pouch 'color code', provided the pouch is inserted properly (with 'color code' facing forward). This is important as it will mix the precise amount of water for your cocktail. Should you insert the pouch incorrectly your BIBO® will alert you that you have not inserted correctly. You will see the following message: "misread drink pouch, re-insert with color code forward."

Figure 5



STEP 5:

Completing the Process – Making the Perfect Cocktail!

- Gently close the handle, and press down until you hear the pouch slicing device go through the pouches (Figure 5). There will be a slight popping sound.
- Immediately, press the "mix" button – which allows the water and cocktail mix to blend as they pour into the glass. The LCD Control Center will read "mixing BIBO® cocktail".
- Liquids will stop flowing after about 20 seconds, now your cocktail mix is ready for you to add the alcohol of your choice, as directed on the pouch.
- Enjoy a fantastic BIBO® cocktail!

TIPS FOR MAKING GREAT DRINKS

We recommend the following for making great cocktails:

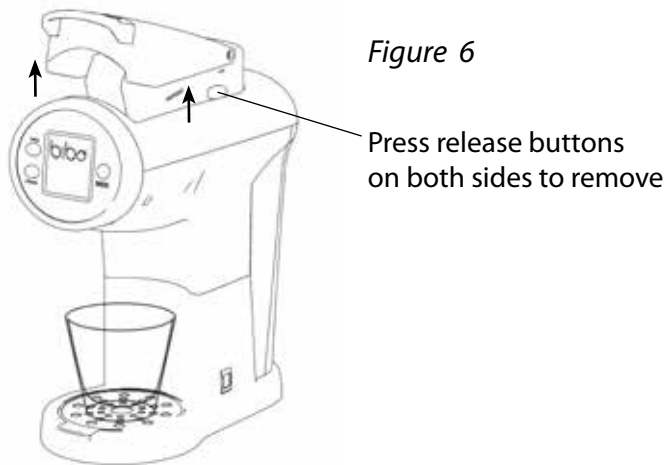
- Store the drink pouches in the refrigerator – **DO NOT FREEZE, WILL CAUSE DAMAGE TO BLADE ASSEMBLY**
- Use only fresh, clean and cold bottled water or filtered water.
- Use 3 - 4 ice cubes per drink.
- Use 4 - 6 ice cubes with a cocktail shaker (note: before shaking place finger on lid of shaker to hold in place.) Shake vigorously and pour.
- Remember to keep the alcohol out of the reach of children.
- When pouring your spirits, use the BIBO® shot glass. It is perfectly pre-measured to work with the BIBO® cocktail formula. Just make the drink without the alcohol pouch and pour the shot into the drink.



CLEANING & MAINTENANCE

It is important to keep your BIBO® clean. It's simple and easy to do.

We recommend using the cleaning cycle every 10 drinks. More frequent rinsing is suggested, if you are using drink flavors that have very distinct residual flavor. This way the flavor will not carry over to the next drink (example: Appletini to a Coconut drink).



To clean your BIBO® during a party, follow these simple steps:

- Make sure you have ample water in the reservoir.
- Place a glass on the drip tray.
- Remove any pouches in the slots.
- Pull handle down completely, press and hold the “clean” button for 3-4 seconds on the LCD Control Center display.
- BIBO® will display “cleaning in progress”.
- Process takes about 5 seconds.
- Empty rinse-water.
- Use a damp cloth and wipe the pouch smart code reader found in the front pouch receptor (see page 3, labeled K).

After party cleaning:

- Remove cutting handle assembly (Part C). Simply push in the release buttons on each side of the appliance and gently remove cutting handle assembly from the BIBO® appliance (Figure 6).
- CLEAN: The cutting handle assembly can be cleaned by submerging in warm soapy water. Place cutting handle assembly in a bowl or sink large enough to immerse. Let soak for a few minutes. While the cutting handle assembly is soaking, remove the drip tray, wash the tray and cover in warm soapy water.
- RINSE: Submerge assembly in warm rinse water. Ensure all assembly pieces are rinsed thoroughly and no soap remains by swishing the cutting handle assembly around several times.

- DRY: Allow the cutting assembly to dry and return back into the BIBO® appliance (Figure 7).
- We also recommend emptying the water reservoir and drying between uses to ensure that water is always fresh and cold. Empty, dry and return the water reservoir into the BIBO® appliance.

When not using your BIBO® for extended periods of time:

- Fill the water reservoir and purge the water system by pressing the “clean” button until the water reservoir is empty and no more water flows into your glass.
- If you have forgotten to do that and are using for the first time in several months, purge the water system and execute 3 rinse cycles with fresh water to clean waterway system.



SERVICE:

Beyond the recommended cleaning and safety procedures this appliance is not user serviceable. For service please refer to the Warranty section of this manual.

STORAGE:

Storage of pouches

- All pouches are shelf stable, which means they can be stored in a cabinet or pantry and do not need refrigeration. However, we recommend placing in cool storage for best results.
- **Cocktail mix pouches should not be put in freezer! FROZEN POUCHES WILL CAUSE DAMAGE TO BLADE ASSEMBLY.**

Storage of Appliance

- Do not store in a cold environment, refrigerator or freezer. Allow 2 hour thaw time at room temperature, any time the BIBO® may have experienced extreme cold. **Do not store outdoors.**

- After cleaning your BIBO® as described on page 6, take care in storing your BIBO® in a safe and frost free environment. Please be sure to store your appliance in its upright position to avoid water leakage from the pump and inner water lines. If you store this appliance in a cold environment, you run the risk of water freezing inside the appliance and causing damage. When you prepare to use it after storage, we recommend rinsing the water reservoir with fresh, clean water and running the “clean” cycle a few times without pouches in the appliance.
- If you plan to move your appliance to a different location, turn it off at the power button, unplug it, and empty the water reservoir. If your appliance has been in an environment below freezing, please be sure to let it warm to room temperature for at least two hours before using.
- Leaving the BIBO® appliance in direct sunlight is not recommended. The appliance is intended for indoor use and if left in extreme temperatures of any kind, the appliance may fail.

TROUBLESHOOTING

BIBO® Cocktail Maker does not have power (light on, screen is dark).

- Check to see that it is plugged in completely both into the machine and to the wall outlet.
- Make sure the power button has been turned on.
- Plug appliance into a different outlet or circuit.
- Check to see if a fuse or circuit breaker is tripped.

Only water comes out of the cocktail maker.

- Open BIBO® and check to see if drink mix pouch is inserted into the slot.
- Close handle assembly completely to insure blade has penetrated and opened the pouch. Then press the “MIX” button again.
- Check to see if drink mix pouch is frozen solid.

WARRANTY

Limited One-Year Warranty

BIBO® Barmaid, LLC warrants that your BIBO® appliance will be free of defects in materials or workmanship under normal home use for one year from the date of purchase. It is recommended that you fill out and return the warranty card enclosed with your appliance so that your purchase information will be stored in our system. Failure to completely fill out this warranty card will not negate the warranty.

BIBO® will replace the appliance, at their discretion, without charge upon receiving the original receipt indicating date of purchase. Dated sales receipt, electronic invoice or electronic receipt are all acceptable proofs. If a replacement appliance is necessary to service this warranty, the replacement appliance may be new or reconditioned. If a replacement appliance is sent, a new limited one-year warranty will be applied to the replacement appliance.

This warranty only applies to appliances operated in the United States. This warranty gives you specific legal rights, and you may also have other rights that vary from state to state.

What is not covered by the Limited Warranty?

THIS WARRANTY DOES NOT COVER CONSEQUENTIAL OR INCIDENTAL DAMAGES SUCH AS PROPERTY DAMAGE AND DOES NOT COVER INCIDENTAL COSTS AND EXPENSES RESULTING FROM ANY BREACH OF THIS WARRANTY, EVEN IF FORESEEABLE. Some states do not allow the exclusion or limitations of incidental or consequential damages, so the above limitation or exclusion may not apply to you depending on the state of purchase.

This warrantee excludes: damages caused by services performed by anyone other than BIBO® or its authorized service providers, use of parts other than genuine BIBO® parts, or external causes such as abuse, misuse, inappropriate power supply or acts of God.

Other Limitations

THIS WARRANTY IS EXCLUSIVE AND IS IN LIEU OF ANY OTHER EXPRESS WARRANTY, WHETHER WRITTEN OR ORAL. IN ADDITION, BIBO® HEREBY SPECIFICALLY DISCLAIMS ALL OTHER WARRANTIES WITH RESPECT TO YOUR BIBO® SPECIAL EDITION / SIGNATURE MODEL A1 BIBO® COCKTAIL MAKER, INCLUDING ANY IMPLIED WARRANTY OF MERCHANTABILITY OR FITNESS FOR ANY PARTICULAR PURPOSE. Some states do not allow disclaimers of such implied warranties or limitations on how long an implied warranty lasts, so the above limitation may not apply to you depending on the state of purchase.

How do you obtain warranty service?

BIBO® cocktail makers are high-quality appliances and, with proper care, are intended to provide years of satisfying performance. However, should the need arise for you to return your BIBO® for warranty servicing, simply call BIBO® Customer Service at our toll free number (888) 827-BIBO (2426). Please do not return your appliance without speaking to BIBO® Customer Service to obtain a Return Authorization Number (RAN). BIBO® appliances returned without an RAN number will be returned to the sender without servicing.



BIBO® Barmaid, LLC
P.O. Box 399, Annandale, NJ 08801

BIBO Barmaid LLC is a limited liability company having a place of business in central New Jersey, USA.

Made and printed in China.

US and Foreign patent pending.

BIBO® and RETHINK THE DRINK® are registered trademarks of BIBO Barmaid LLC.

Other trademarks pending.

©2016 BIBO Barmaid LLC. All rights reserved



@drinkbibo



@drinkbibo



@drinkbibo



@drinkbibo

REGISTRATION

Thank you for purchasing the BIBO® for perfect cocktails. Registering your BIBO® is easy. Go to our website: www.BIBO.com/register. If you prefer, complete and mail the enclosed registration card.

Why register?

- Keep up to date on the newest BIBO® innovations.
- Warranty records are at your fingertips for questions or service needs.
- Proof of purchase is complete in case of loss for insurance purposes.

Dear New BIBO® Owner,

Our mixologists ensure that you get the perfect cocktail every time. Enjoy your BIBO® cocktail and always remember to drink responsibly.

CHEERS!!!!

The BIBO® Team

